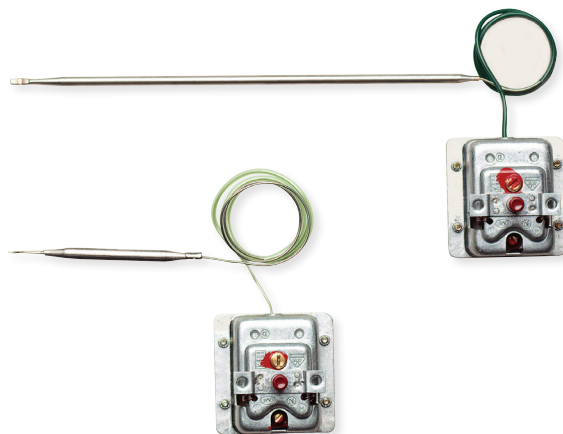


TEMPERATURE LIMITER MAKE EGO

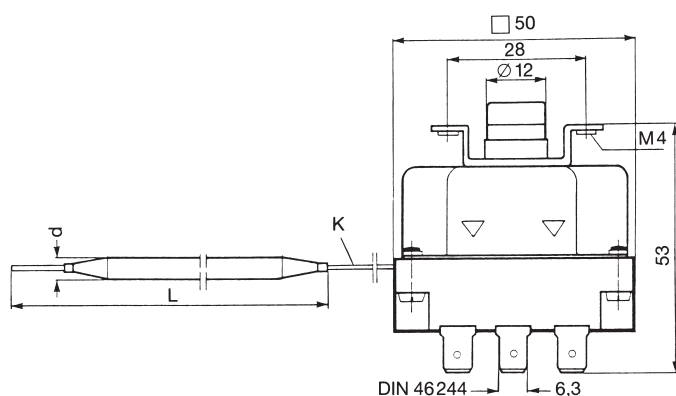
Description

Capillary type T-labeled 125°C, breaking capacity 20A/400V



Technical specification

Contact function	Reset	Break temp.	Bulb diameter d	Bulb length L	Capillary length K	Item number
3-pole breching	Manual	110 +0/-8	6 mm	75 mm	540 mm	1160 119 301
3-pole breching	Manual	65 +0/-6	4 mm	230 mm	420 mm	1160 160 601



Wiring diagram

