

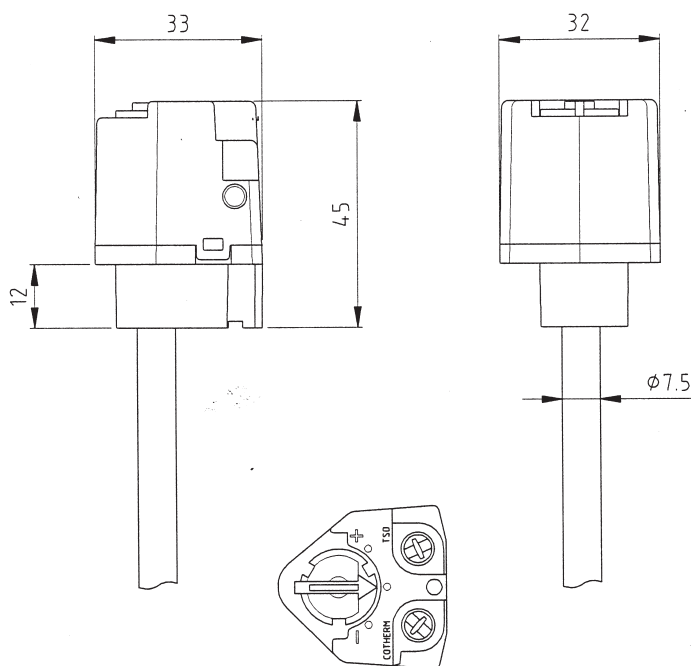
Description

Capillary type T-labled 100°C, breaking capacity 20A/240V



Technical specification

Item	Contact function	Temperature range	Capillary length	Item number
TSDH 0702	Single pole breaking	10-90°C	180 mm	1160 156 701
TSDO 1103	Single pole breaking	3-55°C	270 mm	1160 156 702
TSDH 1104	Single pole breaking	38-90°C	270 mm	1160 156 703
TSDH 1103	Single pole breaking	58-110°C	270 mm	1160 156 704
TSDH 1102	Single pole breaking	98-150°C	270 mm	1160 156 705
TSDH 1106	Single pole breaking	130-182°C	270 mm	1160 156 706



Wiring diagram

