



BACKER

# THERMOSTATS MAKE JUMO

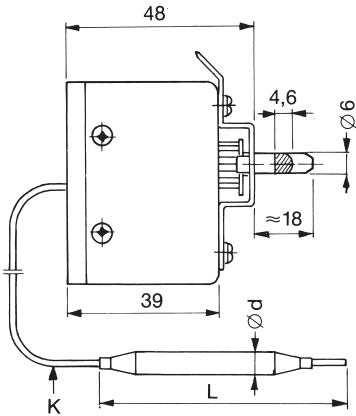
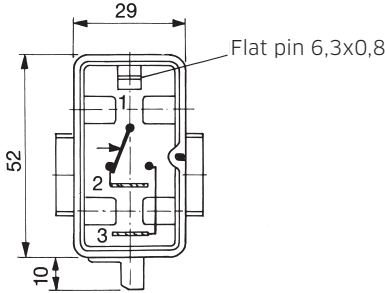
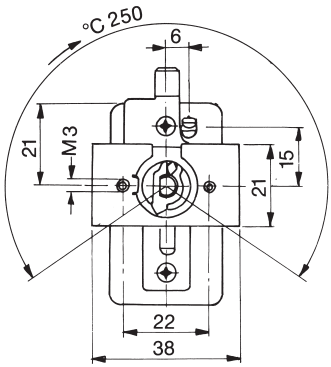
## Description

Capillary type T-labled 120°C, breaking capacity 16A/400V



## Tecnical specification

Contact function	Temp. range	Bulb diameter D	Bulb length L	Capillary length K	Item number
Switching 1-pole	0-200°C	6 mm	92 mm	1150 mm	1160 156 301
Switching 1-pole	20-500°C	8 mm	150 mm	1000 mm	1160 156 303



Wiring diagram

