

EGO CAPILLARY THERMOSTATS

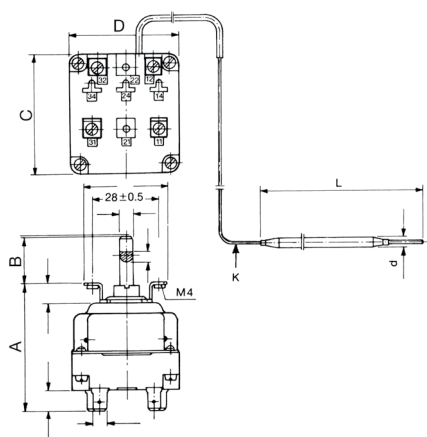
Description

Capillary type T-labled 150°C, breaking capacity 16A/400V



Technical specification

Type	Temp. range	Bulb diameter D	Bulb length L	Capillary length K	Measurement A	Measurement B	Measurement C	Measurement D	Item number
Single pole breaking	30-90°C	4	240 mm	370 mm	28 mm	18 mm	51,5 mm	35 mm	1160 127 401
Two-pole breaking	30-90°C	6	130 mm	400 mm	53,5 mm	19 mm	50 mm	46 mm	1160 119 201
Switching 3-pole	30-90°C	6	240 mm	420 mm	53,5 mm	19 mm	50 mm	46 mm	1160 047 501
4-pole breaking	30-90°C	6	130 mm	800 mm	53,5 mm	23 mm	50 mm	60 mm	1160 210 401
Two-pole breaking	0-50°C	4	240 mm	370 mm	53,5 mm	19 mm	50 mm	46 mm	1160 160 501



Wiring diagram

