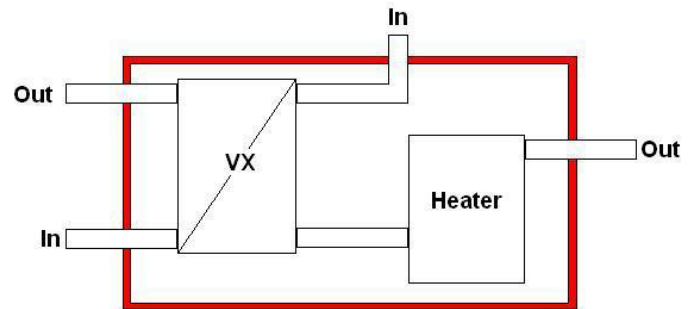


HEAT EXCHANGERS

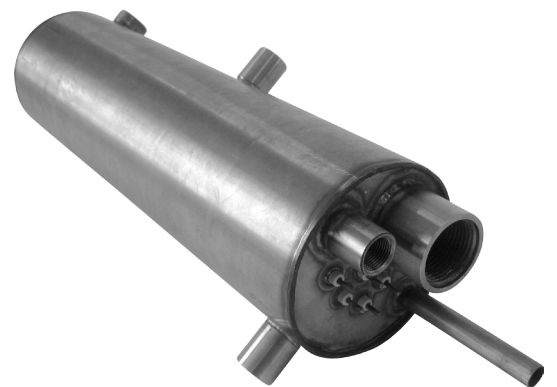
The function of a heat exchanger is to transfer energy between two mediums. The tubular heat exchanger from Backer can manage higher pressures (on the secondary side) than a PHE, with the big advantage of the ability to include supplementary heat in the same unit and still keep it compact. This can offer possibilities for space saving in application design.



Material	Stainless steel acc. to customer specification
Dimension	Same size range as traditional PHE, e.g. Ø 130 mm, L: 350 mm
Fields of application	Heat pumps Solar heat systems SPA Plastic industry
Assembly	With standard connections
Connection	Cables, screws, tab terminals acc. to customer specification.
Design	Tubular design
Others	Designed acc. to plumbing standards



Backer unit with heat exchanger and supplementary heat



Example of product design